

INSTRUCTIONS AND REPAIR PARTS LIST

408B 8 HOLE NEST

READ ALL DIRECTIONS CAREFULLY BEFORE BEGINNING INSTALLATION

TOOLS REQUIRED: Straight Blade Screwdriver, Phillips Head Screwdriver, Small Adjustable Wrench, 3/8" Wench, 7/16" Wench and Center Punch

⚠ CAUTION ⚠

SHARP EDGES, ALWAYS WEAR GLOVES

ALL EDGES EXPOSED TO BIRDS ARE HEMMED. CERTAIN EDGES, HOWEVER, ARE NOT HEMMED. THESE EDGES MAY BE SHARP. ALWAYS WEAR GLOVES WHEN ASSEMBLING AND MOVING THE UNIT.

408B Parts List

Ref. No.	Part No.	Description	Qty	Repair
1	408727	Back Top Panel (LABELED 1)	1	*
2	408728	Back Bottom Panel (LABELED 2)	1	*
3	408725	Front Top Panel (LABELED 3)	1	*
4	408726	Front Bottom Panel (LABELED 4)	1	*
5	410711	Right Partition	1	*
6	410713	Left Partition	4	*
7	408729	Roof Panel	1	*
8	410730	Nest Bottom	8	*
9	408731	Perch Board	3	*
10	410734	Short Perch Assembly	2	*
11	410735	Long Perch Assembly	2	*
408732 - 408B Hardware Bag Contains Ref. No. 12-16.				*
12	410719	Hanger Bracket	2	*
13	OF181	1/4"-20 x 1-1/2" Hex Head Bolt	12	
14	OF335	1/4"-20 Whiz Hex Nut	12	
15	OF214	10-24 x 1/2" Phillips Round Head Machine Bolt	64	
16	OF53	10-24 Machine Nut	64	

Parts available for repair have an asterisk (*) in the repair column.

MODEL NUMBER

The MODEL NUMBER is: 408B 8 HOLE NEST

WHEN ORDERING PARTS

- (1) Show MODEL NUMBER and NAME: Example - 408B 8 HOLE NEST
- (2) Show PART NUMBER and FULL DESCRIPTION of part: Example - 408731 Perch Board

HOW TO ORDER PARTS

Repair Parts may be ordered from your dealer.

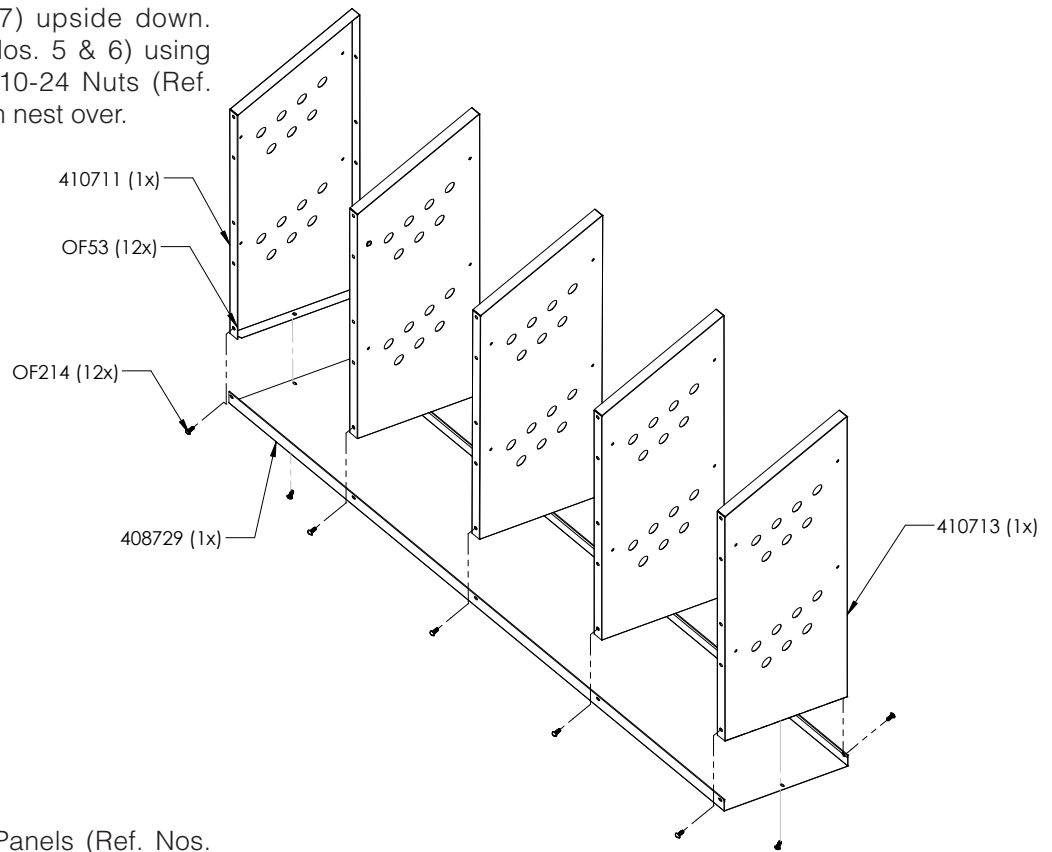


ASSEMBLY INSTRUCTIONS

DO NOT TIGHTEN ANY FASTENERS UNTIL INSTRUCTED TO DO SO!

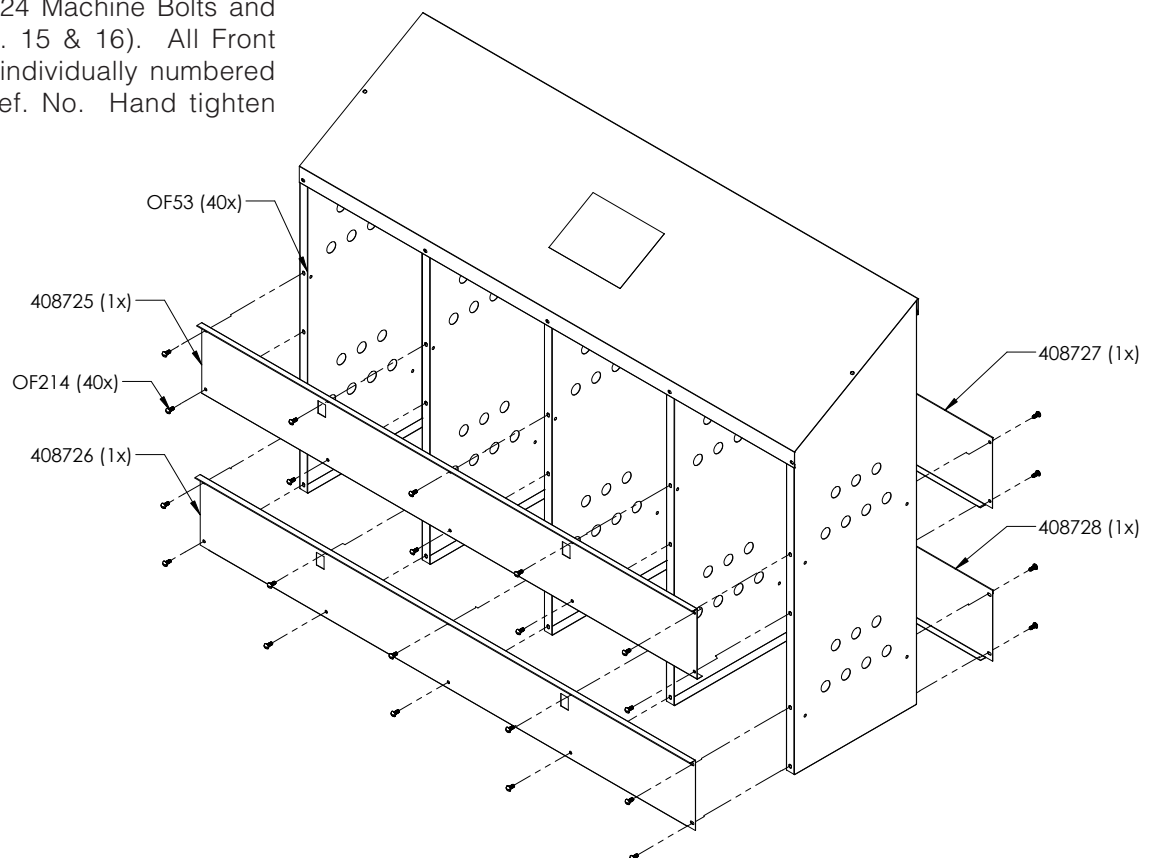
STEP 1

Lay Roof Panel (Ref. No. 7) upside down. Attach all Partitions (Ref. Nos. 5 & 6) using 10-24 Machine Bolts and 10-24 Nuts (Ref. Nos. 15 & 16). Tighten. Turn nest over.



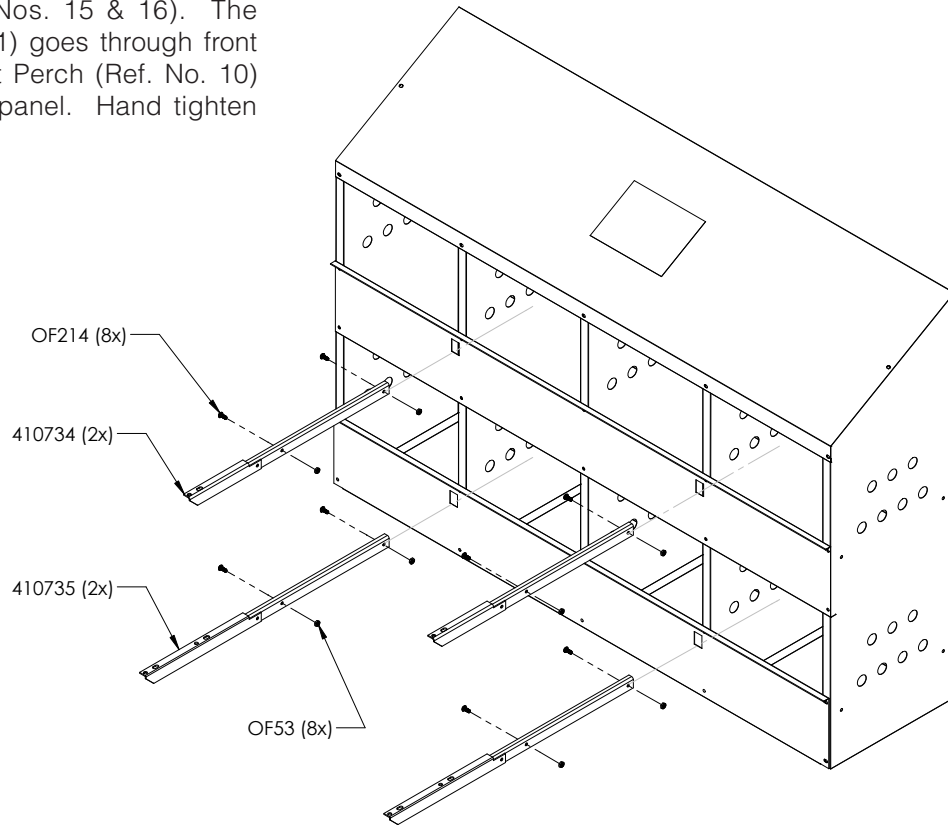
STEP 2

Attach all Front and Back Panels (Ref. Nos. 1, 2, 3 & 4) using 10-24 Machine Bolts and 10-24 Nuts (Ref. Nos. 15 & 16). All Front and Back Panels are individually numbered with the respective Ref. No. Hand tighten fasteners only.



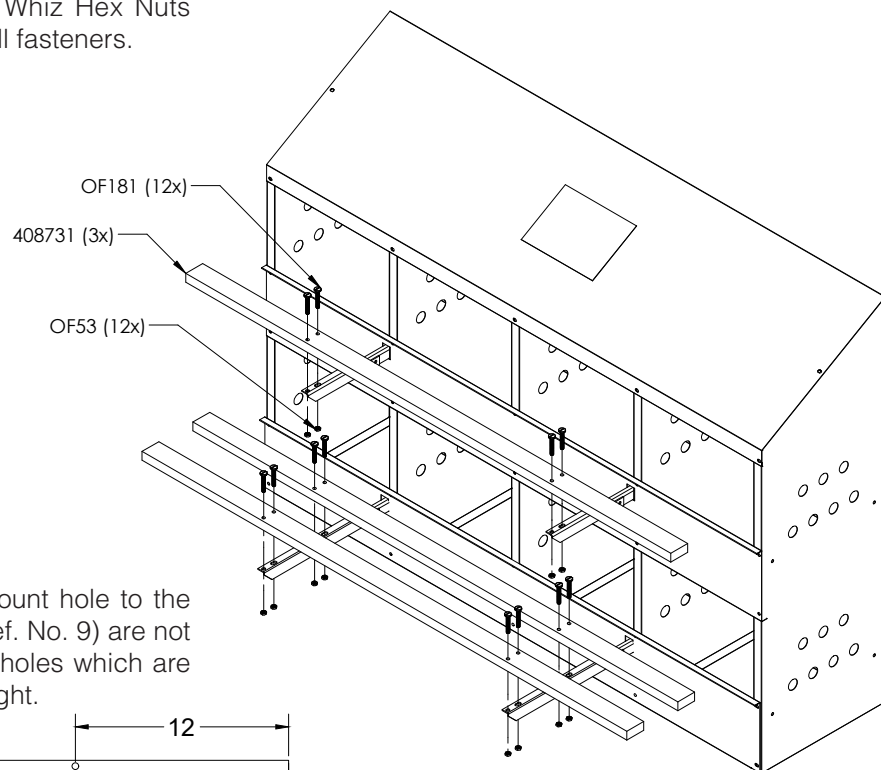
STEP 3

Attach Long and Short Perch Assemblies (Ref. Nos. 10 & 11) using 10-24 Machine Bolts and 10-24 Nuts (Ref. Nos. 15 & 16). The Long Perch (Ref. No. 11) goes through front bottom panel and Short Perch (Ref. No. 10) goes through front top panel. Hand tighten fasteners only.

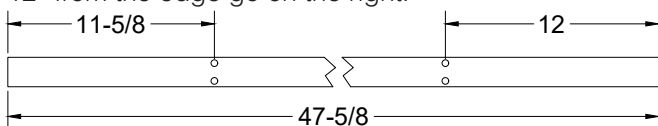


STEP 4

Attach the Wood Perches (Ref. No. 9) using 1/4-20 Hex Bolts and 1/4-20 Whiz Hex Nuts (Ref. Nos. 13 & 14). Tighten all fasteners.



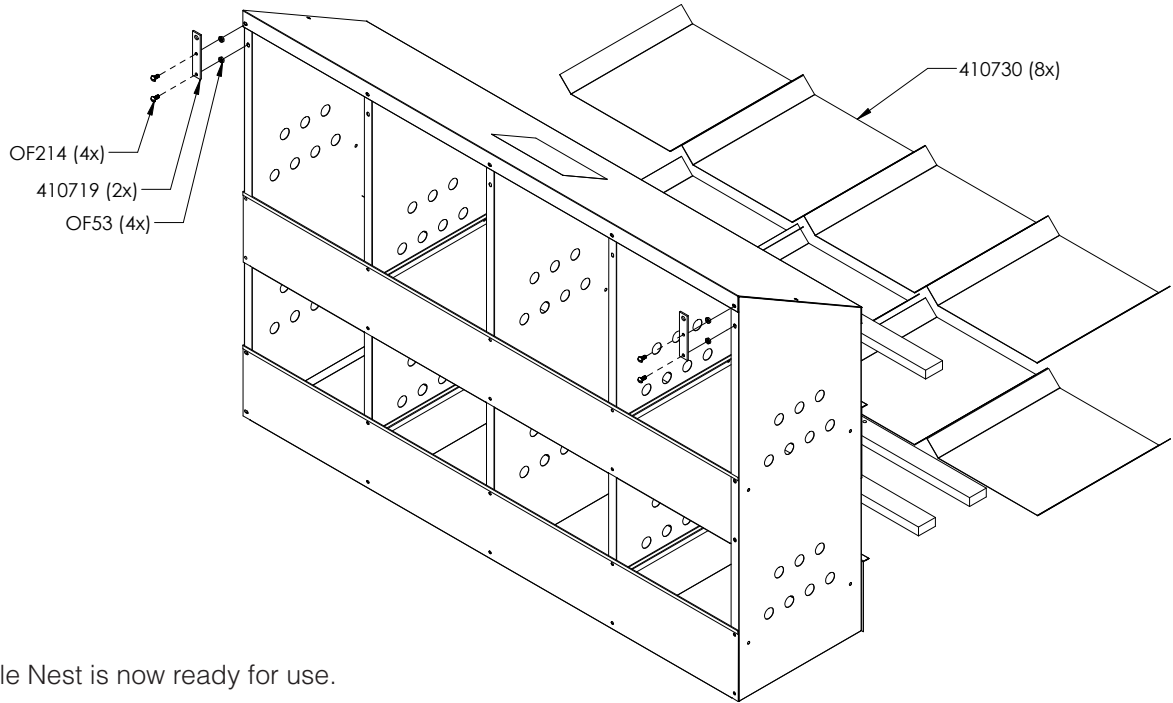
NOTE: The distance of the mount hole to the edge of the Wood Perches (Ref. No. 9) are not the same on both ends. The holes which are 12" from the edge go on the right.



STEP 5

Attach Hanger brackets (Ref. No. 12) to the back of both corners using 10-24 Machine Bolts and 10-24 Nuts (Ref. Nos. 15 & 16). Tighten all fasteners.

Insert Nest Bottoms (Ref. No. 8) in each opening.



STEP 6

Your Broer 8 Hole Nest is now ready for use.

